



PALAZZO M8

While combining beauty, elegance and precise engineering, the **Palazzo** provides a durable weather-proof covering for both residential and institutional areas. The **Palazzo** series documents the progress of the giant sunshades. This handsome design impresses by the use of optimized technology.

PALAZZO M8		METRIC AND IMPERIAL DIMENSIONS TABLE																		
Item No.	No. of ribs	Shape	Size		Wind Resistance		Area Covered		*Foundation		Crank Handle Height		Height Closed		Clear Headroom		Total Height Closed		Total Height Opened	
			A	A			B	B	C	C	D	D	E	E	F	F	G	G	H	H
			m	ft.	kph	mph	m ²	sq.ft.	cm	inches	cm	ft	cm	ft.	cm	ft.	cm	ft.	cm	ft.
205 450	8	round	4.5	14.8	65	40	15.9	171	100 x 100	40 x 40	70	2.3	141	4.6	210	6.9	380	12.5	313	10.3
205 500	8	round	5	16.4	65	40	17.7	191	100 x 100	40 x 40	80	2.6	135	4.4	210	6.9	399	13.1	313	10.3
205 550	8	round	5.5	18	60	37	21.4	230	120 x 120	47 x 47	90	2.9	135	4.4	210	6.9	421	13.8	323	10.6
205 600	8	round	6	19.7	50	31	27.6	297	125 x 125	49 x 49	70	2.5	120	3.9	210	6.9	435	14.3	329	10.8
206 600	12	round	6	19.7	60	37	27.6	297	125 x 125	49 x 49	70	2.5	120	3.9	210	6.9	435	14.3	329	10.8
206 650	12	round	6.5	21.3	55	34	31.7	341	135 x 135	53 x 53	85	2.8	110	3.6	210	6.9	456	15.0	336	11.0
206 700	12	round	7	23	50	31	36.8	397	135 x 135	53 x 53	65	2.1	95	3.1	210	6.9	462	15.2	342	11.2
206 750	12	round	7.5	24.6	45	28	42.4	456	150 x 150	59 x 59	75	2.4	90	2.9	210	6.9	477	15.7	350	11.5
207 354	8	rect.	3.5 x 4.5	11.5 x 14.8	55	34	15.8	170	100 x 100	40 x 40	82	2.7	104	3.4	210	6.9	417	13.7	323	10.6
207 405	8	rect.	4 x 5	13 x 16.4	50	31	20	215	100 x 100	40 x 40	91	3	95	3.1	210	6.9	435	14.3	333	10.9
207 400	8	square	4 x 4	13 x 13	55	34	16	172	110 x 110	40 x 40	91	3	107	3.5	210	6.9	435	14.3	333	10.9
207 450	8	square	4.5 x 4.5	14.8 x 14.8	55	34	20.3	219	120 x 120	47 x 47	91	3	101	3.3	210	6.9	437	14.3	335	11.0
207 500	8	square	5 x 5	16.4 x 16.4	45	28	25	269	120 x 120	47 x 47	78	2.5	89	2.9	210	6.9	462	15.2	345	11.3
206 505	12	square	5 X 5	16.4 x 16.4	55	34	25	269	125 x 125	49 x 49	56	1.8	105	3.4	210	6.9	468	15.4	340	11.2
206 550	12	square	5.5 X 5.5	18 x 18	50	31	30.3	326	135 x 135	53 x 53	68	2.2	81	2.6	210	6.9	482	15.8	345	11.3
206 606	12	square	6 X 6	19.7 X 19.7	45	28	36	388	135 x 135	53 x 53	63	2	65	2.1	210	6.9	502	16.5	356	11.7

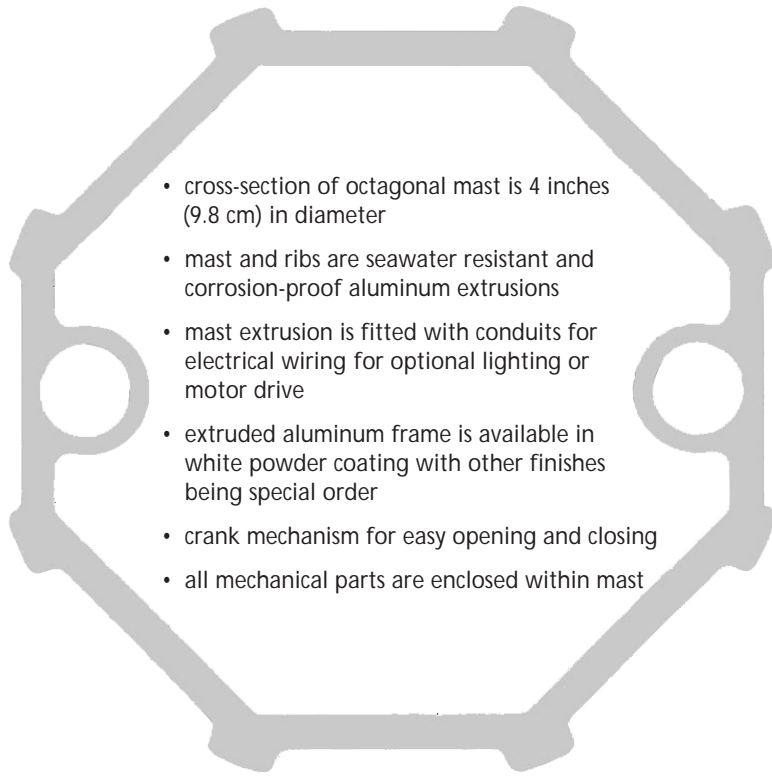
* Concrete 40 cm or 16 inches thick, with water outflow. Surface maximum 10 cm or 4 inches. Minimum distance between 2 sunshades or from wall to sunshade is 20 cm, or 8 inches

"From start to finish we remain completely satisfied with our Palazzo Sunshade. It is an excellent, first class product from frame finish to fabric and after two years of use the umbrella looks brand new. It is highly unusual to receive the kind of customer service and quick response that your company gives."

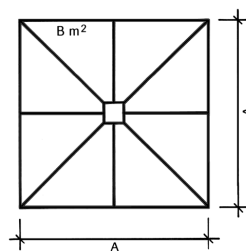
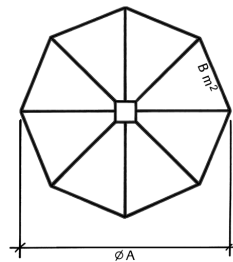
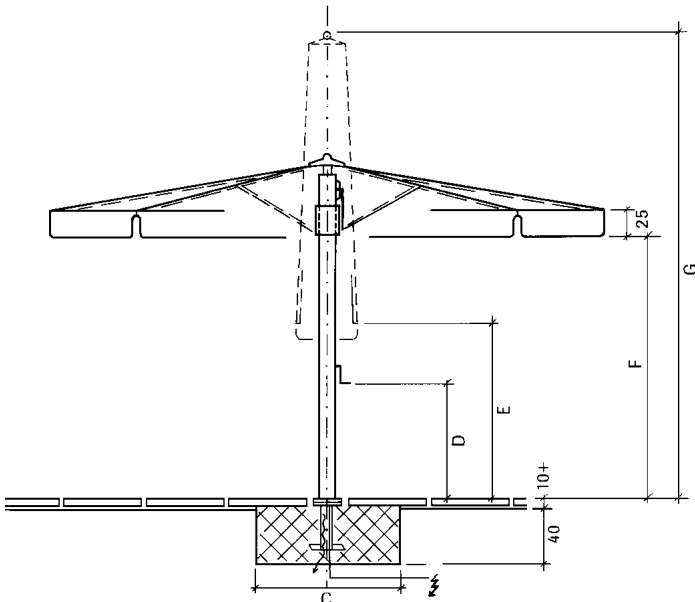


When not in use the umbrella should be closed and belted. A protective cover bag with a telescoping rod is provided to protect your umbrella during the winter months.

The Palazzo can be fitted with a fluorescent light system that is attached to the mast. This system is only available in 220v. Optional globe string lights are also available that are hung from each rib. Please note that these are not suitable for all sizes and models.



Optional lighting is available.



PALAZZO M8 Giant Sunshade