

GROUND SOCKET AMBIENTE TURNABLE

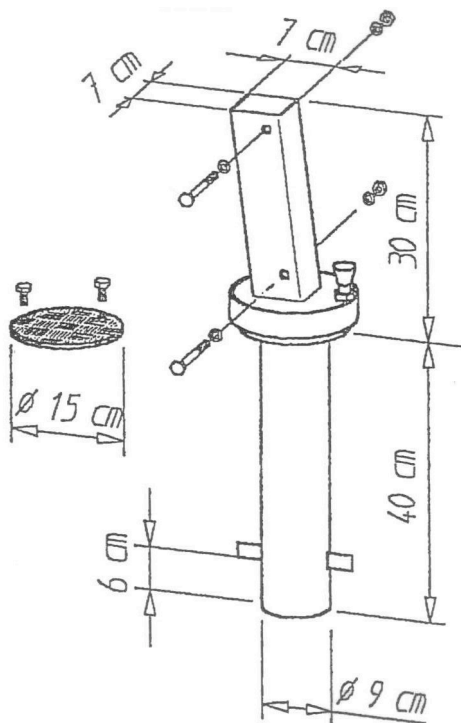
Safety regulations



Any disregard of safety regulations and the instructions for erection and operation can result in serious damage to people and material for which the manufacturer expressly refuses to accept any liability or obligation under warranty!

- Fitting is to be carried out by specialists in the craft of bricklaying or by persons trained appropriately by Glatz.
- The flange ring of the ground socket must be fitted in a perfect vertical position.
- The foundation dimensions as per the following list are to be strictly observed.
- Water which accumulates in the ground socket must be able to escape into the ground.
- Local regulations and frost depths are to be taken into account.
- Safety distance from fixed obstacles or neighbouring shades at least 20 cm.

Fitting instructions



Scope of supply

- Ground socket set, steel hot galvanized, already assembled
- 2 screw bolts M10 x 100
- 4 washers
- 2 nuts M10
- Winter cover aluminium checker plate with 2 screws M10
- Protection cover for rotating mechanism

Notch in the ground socket flange marks the centre axis of the swivel steps.

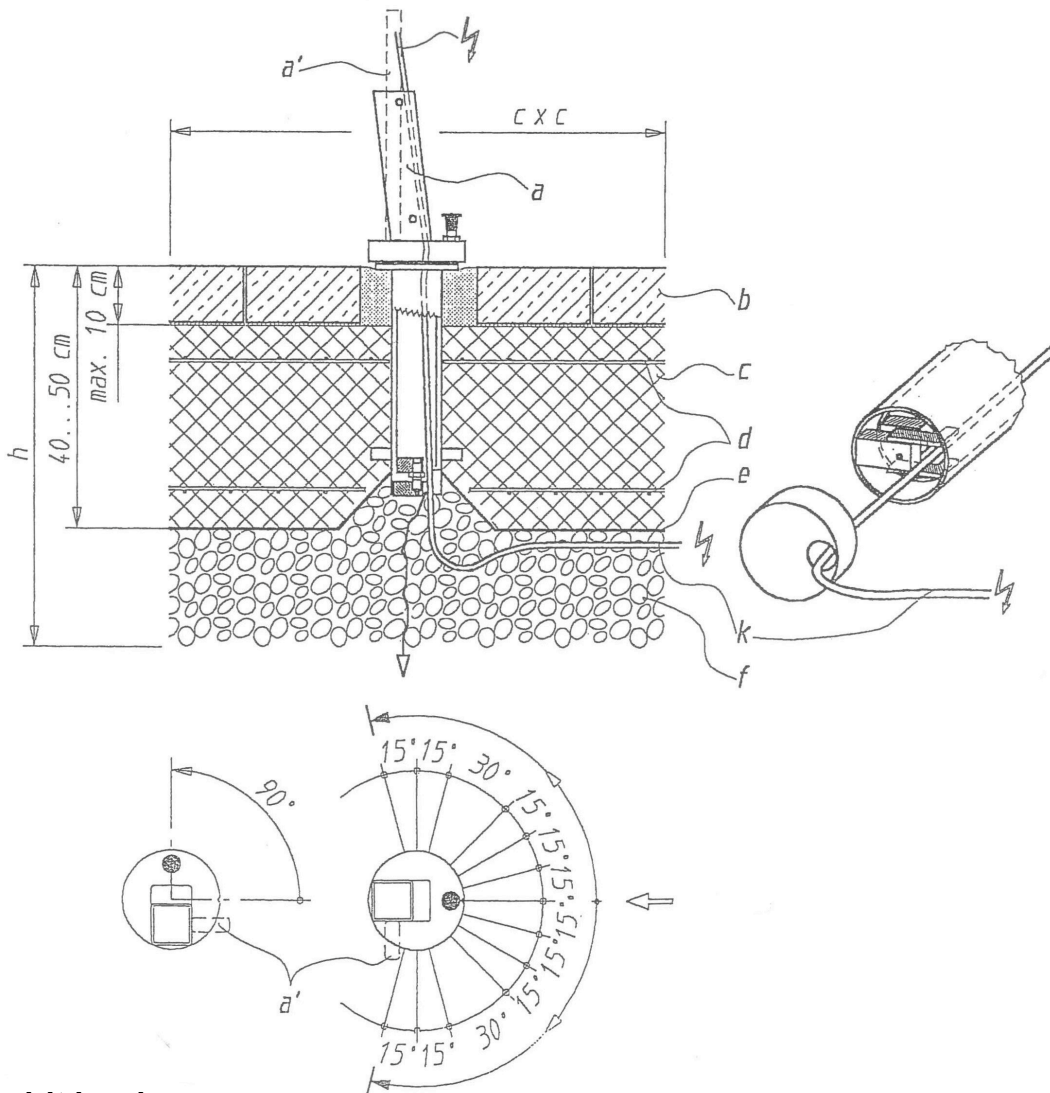
Client's performances

- Fitting on the site
- Drainage of water
- Electricity supply (cables and pipes) from the bottom into the ground socket
- Setting up the shade

Setting Example

Align the ground socket with the notch at basic position in accordance with the desired swivel steps.

- a) Align the flange ring in a perfect vertical position.
- b) Loose covering up to 10 cm depth permissible.
- c) Concrete layer BH PC 250.
- d) Mesh reinforcement K 188 top and bottom.
- e) PVC sheet as wetness barrier.
- f) Filter gravel 0/30 compacted.
- h) Hard foam collar to cover the thread.
- k) Pipes and cables for motor drive or incorporated lighting. (lightning, wie bis anhin = Blitz)



a' = spirit level