

## 1. GROUND SOCKET MOD. „M 4“

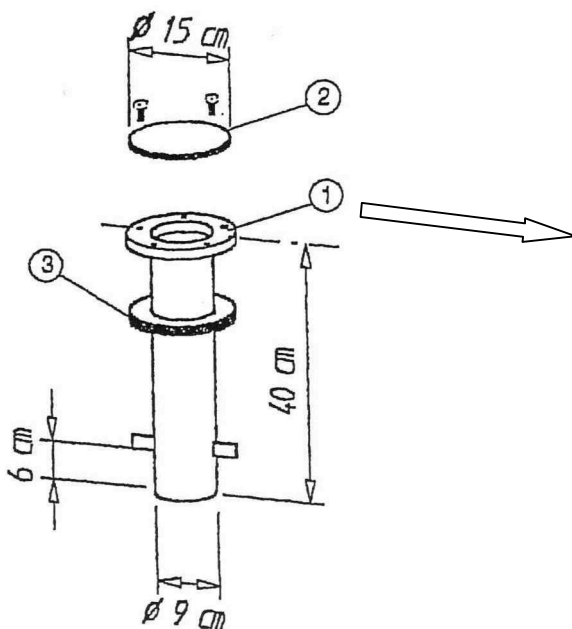
### 1.1 Safety regulations



Any disregard of safety regulations and the instructions for erection and operation can result in serious damage to people and material for which the manufacturer expressly refuses to accept any liability or obligation under warranty!

- Fitting is to be carried out by specialists in the craft of bricklaying or by persons trained appropriately by Glatz.
- The flange ring of the ground socket must be fitted exactly horizontally.
- The foundation dimensions in according with the following list are to be strictly observed.
- Water which accumulates in the ground socket must be able to escape into the ground.
- Local regulations and frost depths are to be taken into account.
- Safety distance from fixed obstacles or neighbouring shades at least 20 cm.

### 1.2 Fitting Instructions



#### Scope of supply

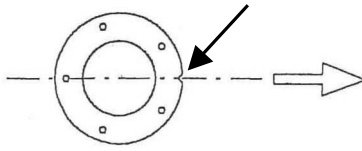
1. Ground socket hot galvanised steel
2. Winter cover aluminium checker plate, 2 screws M 10
3. Hard foam collar to cover the thread

The notch on the rings should be aligned to the seating area for free arm sunshades or on the tipping side.

#### Client's performances

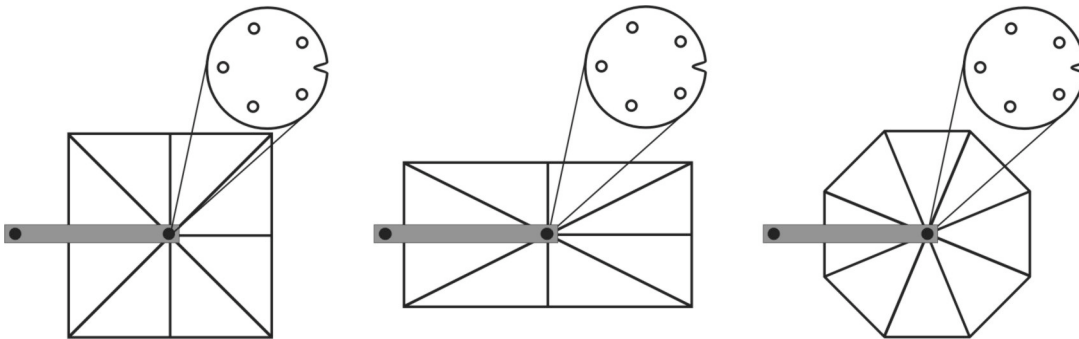
- Fitting on the site
- Drainage of water
- Electricity supply (cables and pipes) from the bottom into the ground socket
- Setting up the shade

### 1.3 Adjustment of the ground socket



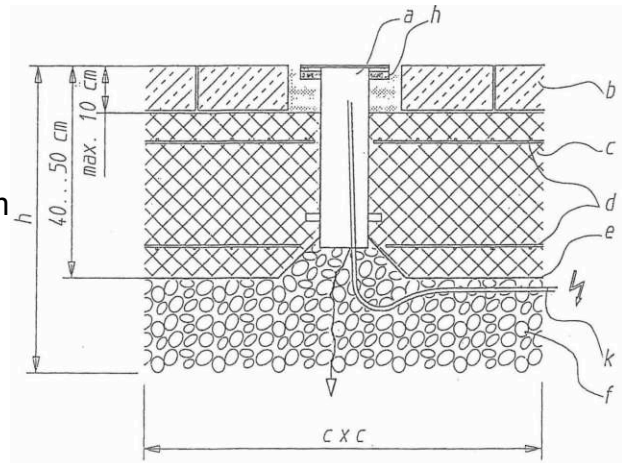
Notch for alignment of free-arm sunshades. Align the notch towards the middle of the seating area.

See the diagram below for the alignment of the ground socket. The direction of the sunshade can also be easily adjusted later thanks to the adjustment slots in the upright tube.



### 1.4 Setting example

- Align the flange ring exactly horizontally
- Loose covering up to 10 cm depth permissible
- Concrete layer BH PC 250
- Mesh reinforcement K 188 top and bottom
- PVC sheet as wetness barrier
- Filter gravel 0/30 compacted
- Hard foam collar to cover the thread
- Pipes and cables for motor drive or incorporated lightning



### 1.5 Foundation dimensions

Sunshade width	x	length	x	height	Sunshade width	x	length	x	height		
up to 10 m <sup>2</sup>	70	x	70	x	40 cm*	up to 25 m <sup>2</sup>	120	x	120	x	40 cm*
up to 15 m <sup>2</sup>	80	x	80	x	40 cm*	up to 30 m <sup>2</sup>	125	x	125	x	40 cm*
up to 20 m <sup>2</sup>	100	x	100	x	40 cm*	up to 40 m <sup>2</sup>	135	x	135	x	40 cm*
						up to 50 m <sup>2</sup>	150	x	150	x	40 cm*

\*from 1000m sea level 50 cm are recommended because of the frost depth.

### 1.6 Other possibilities of placing

- Mounting plate
- Mounting plate special for isolated grounds
- Movable base