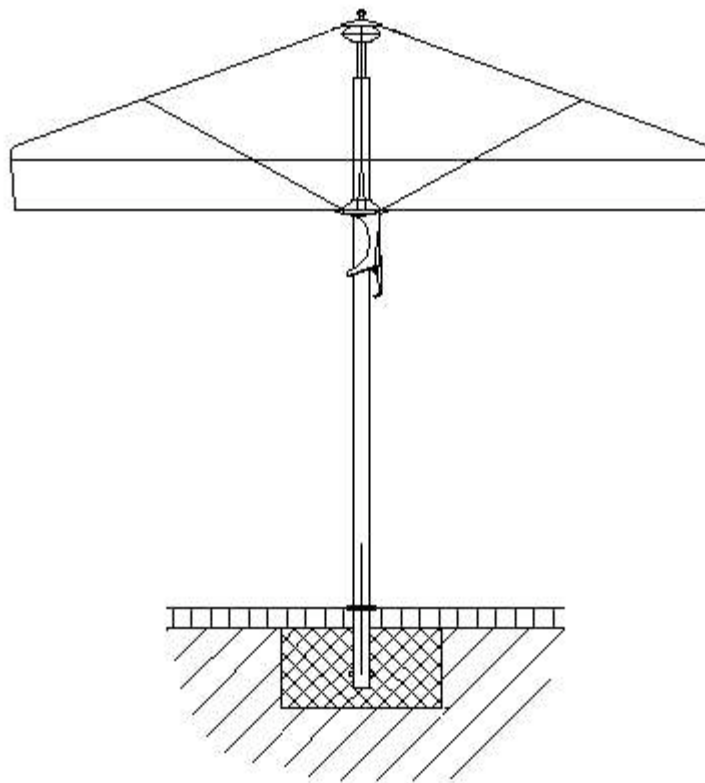

Fitting and operating instructions Castello[®] M4



Contents

1. SAFETY REGULATIONS.....	3
1.1 Use of the shades	3
1.2 Anchorage	3
1.3 Electrical installation	3
1.4 Kindly note the following	4
2. SCOPE OF SUPPLY	5
2.1 Client's work	5
2.2 Options	5
2.3 Possibilities of anchorage	5
3. FITTING.....	6
3.1 Setting the sunshade	6
4. DISASSEMBLING	6
4.1 Taking down the sunshade	6
5. OPERATION.....	7
5.1 Opening the sunshade.....	7
5.2 Closing the sunshade	7
5.3 Notes on the wind	8
6. MAINTENANCE AND CARE.....	10
6.1 Cleaning.....	10
6.2 Frame	10
6.3 Shade tensioning	10
6.4 Hibernation	11

1. SAFETY REGULATIONS

The safety instructions, together with the technical information for the fitting and operation, form the basis for using the shades without danger. They are to be read through before installing an using the shades, to be obeyed and to kept in a save place for later need.



Any disregard of safety regulations and the instructions for erection and operation can result in serious damage to people and material for which the manufacturer expressly refuses to accept any liability or obligation under warranty!



- If the wind freshens up or gales gusts are approaching, the sunshade must be shut.
- Unsupervised sunshades must not be left open.
A unexpected stormy wind could cause heavy damages!

1.1 Use of the shades

The Glatz large shades are intended exclusively as weather resistant sun protection. The wind resistance of the extended shade is limited and the details on this presuppose an anchorage in accordance with the instructions. Movable bases are less stable than bases which are fixed to the ground.

1.2 Anchorage

The ground anchorage is to be fitted in accordance with the technical information in “Fitting Instructions Ground Socket” and “Fitting Instructions Mounting Plate” respectively. Please take note of the dimensions for the shade type concerned and its sizes. Fitting has to be carried out by a person with the necessary specialist construction knowledge. The version is to be in concrete or in a material of like strength. Local regulations are to be observed.

1.3 Electrical installation

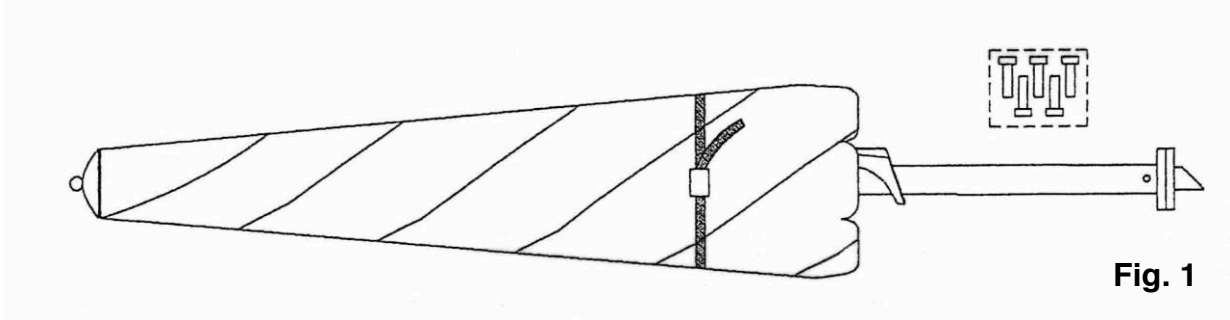
Shades with electric equipment must be connected by a recognised specialist fitter in accordance with the fitting instructions and connected to the mains power supply in accordance with local regulations.

1.4 Kindly note the following

- Be sure to comply with the operating instructions.
- Never place the large shade unsecured against a wall, it could slip away and tip over.
- Before opening or closing the shade, check that there are no obstacles in the operating area.
- The shade must not be altered or draped with a different material. The stability in wind and closing function may deteriorate.
- Use the shade only in a undamaged state and take notice of any faults.
- Use only original Glatz accessories and spares in order to have the guarantee for full safety, unspoilt convenience and perfect functioning.
- When fitting or removing a protective sleeve, if necessary use a free-standing, stable climbing aid. Make sure that this can neither tip over or slip away.

2. SCOPE OF SUPPLY

- Shade ready assembled with binding belt
- Upright tube with cover plate fitted to the mast
- 5 anchorage bolts M 10



2.1 Client's work

- Fitting the ground socket
- Electricity supply
- Set up the sunshade

2.2 Options

- Incorporated lightening for Glatz large shades
- Protective cover with/without zip and rod

2.3 Possibilities of anchorage

- Ground socket M4 with cover
- Mounting plate M4
- Mounting plate special M4 for isolated grounds
- Movable base



In order to ensure that the static conditions for the fixing are fulfilled, it is essential to consult the user manual for the relevant ground fixing.

3. FITTING

3.1 Setting the sunshade

(2 persons are necessary for this. Fitting the support tube into the movable base works analogously to the instructions for the ground socket stated below.)

- Remove the connecting bolt (1) from the upright tube and lift the screw cover plate (2) over the bolt hole.
- Insert the connecting bolt again.
- Lift the shade about 30° and place the wedge (3) on the foot of the mast into the ground socket.
- Raise the shade until the tube ring (4) lies flat on the ground socket ring.
- Hold the shade vertically upright and insert the 5 anchorage bolts (5), do not tighten yet.
- Rotate the shade to the required position and tighten the anchorage bolts.
- If the shade does not stand exactly vertical, loosen the anchorage bolts (5) slightly.
- Adjust with the adjusting screws (6).
- Tighten the anchorage bolts (5) again.
- Move the screw cover plate down and tighten the connecting bolt. If necessary secure with the padlock (7).

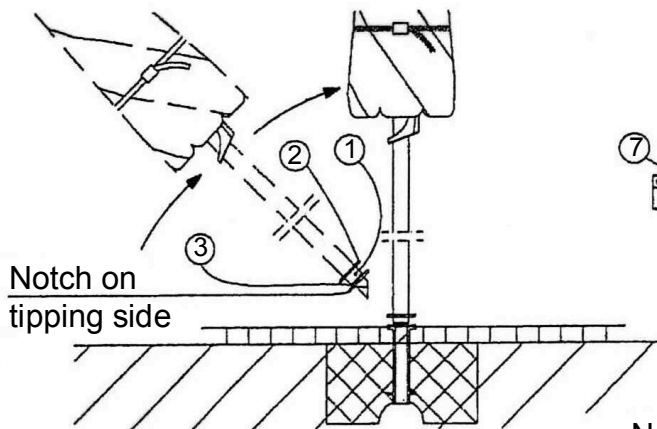


Fig. 2

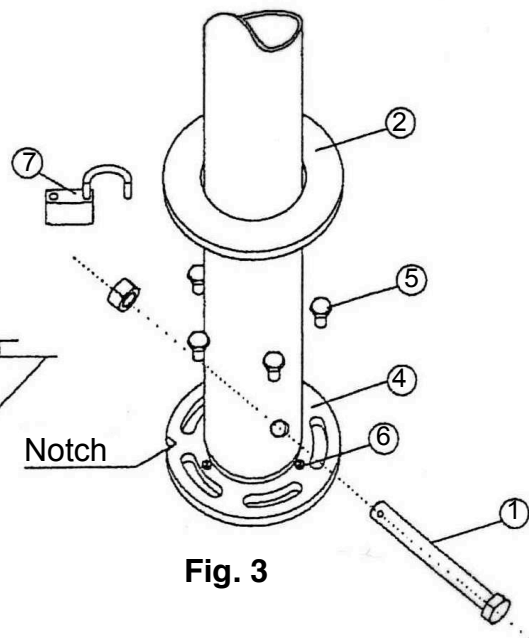


Fig. 3

4. DISASSEMBLING

4.1 Taking down the sunshade

(2 persons are necessary for this)

- Clear the tipping area.
- Hold the shade vertically upright while removing the anchorage bolts.
- Tip the shade carefully in the direction of the notch in the foot of the mast.

5. OPERATION

5.1 Opening the sunshade

- Remove the binding belt.
- Pre-spread the shade by loosening the roof struts and the cloth outwards (1).
- Go close to the mast and push the slider (2) up slowly (air resistance) until the approaching tensioning lever is in grasping distance.
- While one hand continues to lift the slider draw down the tensioning lever with the other hand.
- Insert the lever tip into the opening in the slider and kick down (3).

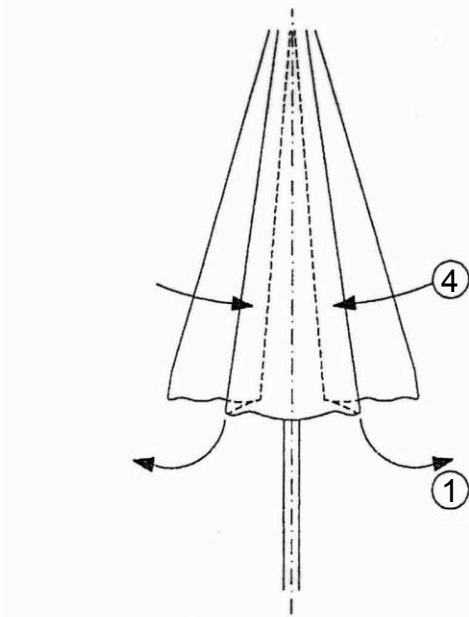


Fig. 4

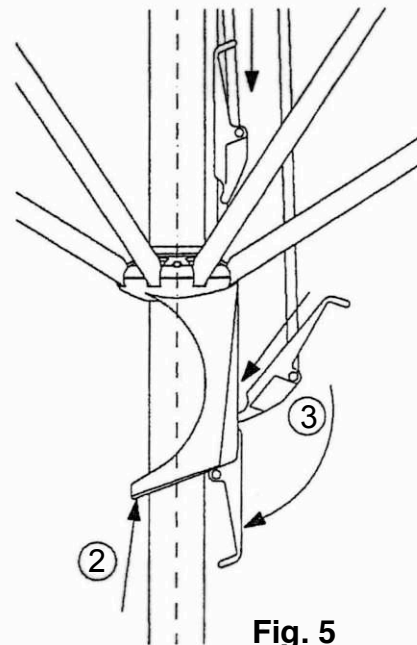


Fig. 5



- If the wind freshens up, close the sunshade.
- Unsupervised sunshades must not be left open.

5.2 Closing the sunshade

- Release the tensioning lever (3).
- Pull the slider (2) downwards.
- Fold the shade together completely by pushing the roof struts close to the mast (4).
- Wrap the cloth around the shade and secure with the binding belt.
- If wanted, pull over the protective cover and tie it.

5.3 Notes on the wind

5.3.1 Parasol membrane on acrylic fibre

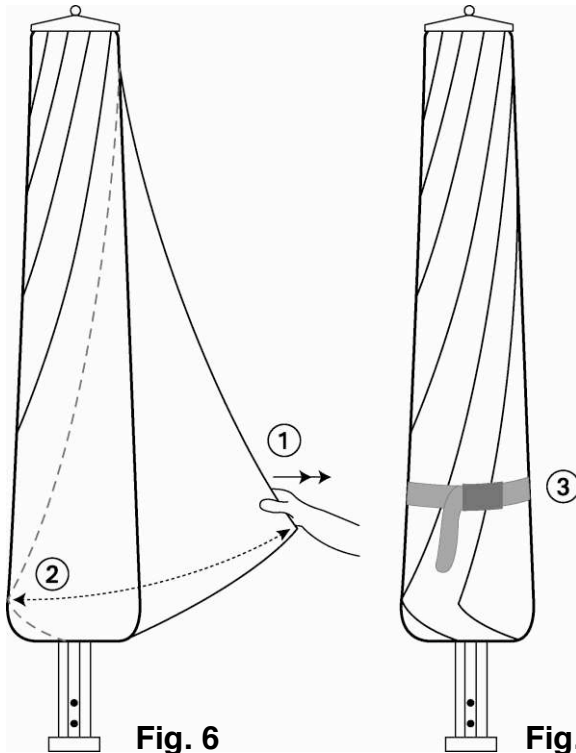
The membrane, which is made from high-quality, solution-dyed **acrylic fibre**, is exceptional due to its outstanding properties such as:

- Ultimate outdoor durability
→ doesn't rot due to dampness or fungal attacks
- Ultimate colour fastness
→ won't be bleached by UV rays
- Ultimate UV protection for those under the umbrella
→ Reduction of UV rays

The "only" disadvantage of relevance is the acrylic fibre, which is sensitive to abrasions. Both Glatz and our fabric supplier have been unable to eliminate this weakness¹.

If you handle the umbrella properly in day-to-day use, abrasion damage can be avoided. The following advice helps.

5.3.2 Correct winding-up of umbrella



Avoid clamping, abrasions and premature wear and tear caused by strong flapping of the material in the case of wind.

- (1) After closing the umbrella, pull out all the lengths of material individually and completely between the struts.
- (2) Wind up the lengths of material in tight layers on the umbrella pole.
- (3) With the provided belt, secure the wound-up lengths of fabric well. (The material should not flap in the wind)

¹ As Glatz cannot monitor the proper treatment of the umbrella coating, any damage caused by abrasion (rubbing) lies outside the regular warranty!

5.3.3 Regions affected by frequent wind or strong winds

In autumn, after the end of the season, dismantle the umbrella and store in a dry place.

5.3.4 Erecting of new umbrellas

Do not erect new umbrellas in autumn. Only set up new umbrellas in spring before the start of the season.

5.3.5 Using the protective cover (option)

The protective cover should be completely closed and tied with rope. You should avoid letting the protective cover flap about.

6. MAINTENANCE AND CARE

6.1 Cleaning

The cloth can be cleaned with lukewarm water with fine detergent. Use a sponge or soft brush. Rinse down with ample clear water. If necessary re-impregnate with a proprietary spray.

In the event of heavy rain, new shades may let a little spray through. This phenomenon will disappear again after a few days.

6.2 Frame

The frame can be rubbed down with water. The coating colours can be freshened up with car polish. Paint damage can be made good using the paint repair kit available from Glatz.

6.3 Shade tensioning

A well tensioned shade is more stable in the wind and remains lovely longer. If necessary, the roof strut extensions (1) can be pulled out further. This is best done when the shade is half closed. Insert the stop screws (2) accordingly and screw it.

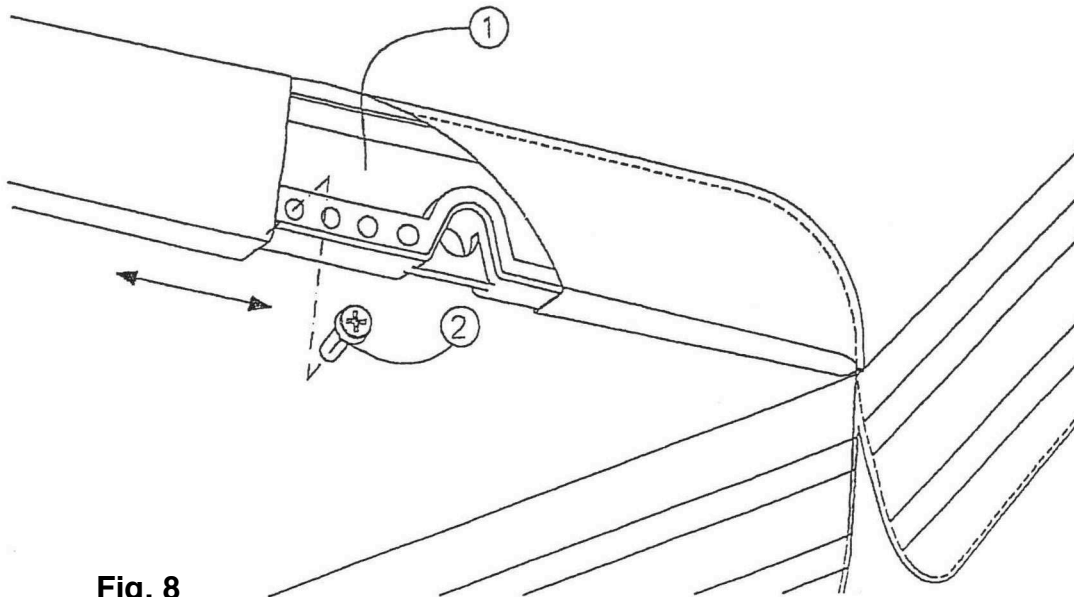


Fig. 8

6.4 Hibernation

Store the sunshade on a dry place.

Check the product visually and the proper functions before re-fitting.



If any deformations, tears or wobbly connecting points should appear as a result of exposure to extreme strains, the sunshade should undergo an overhaul by a specialist before being put into use.