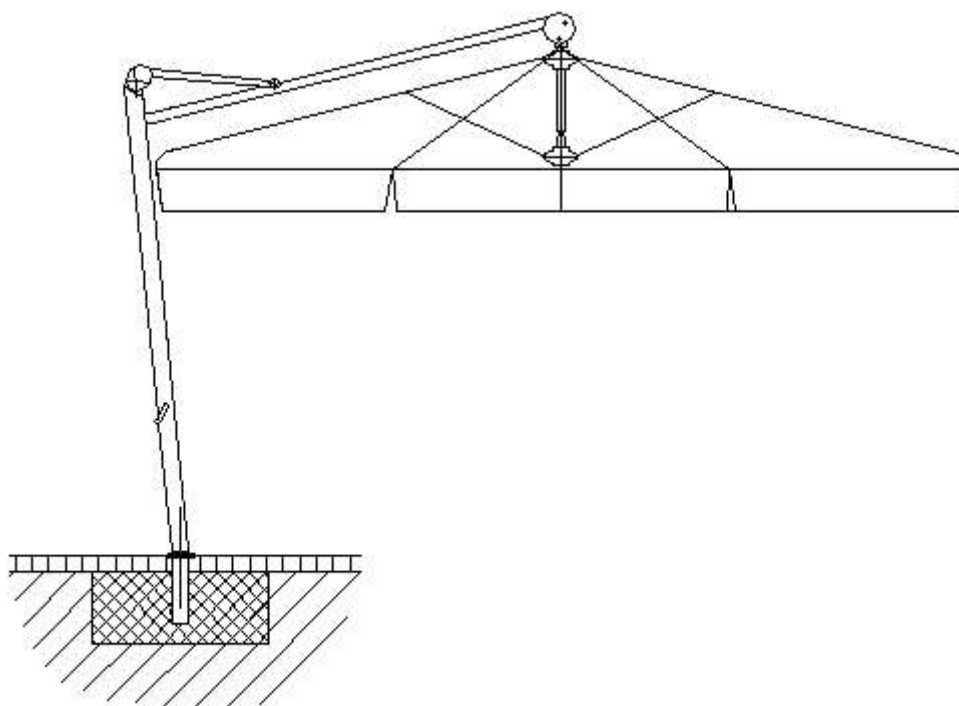

Fitting and operating instructions

Ambiente™



Contents

1. SAFETY REGULATIONS	3
1.1 Use of the shades	3
1.2 Anchorage	3
1.3 Electrical installation	3
1.4 Kindly note the following	3
2. SCOPE OF SUPPLY	4
2.1 Client's work	4
2.2 Options	4
2.3 Possibilities of anchorage	5
3. FITTING	6
3.1 Fitting the support tube into the ground socket / movable base.....	6
3.2 Setting the sunshade	7
3.3 Adjusting the position.....	8
4. DISASSEMBLING	10
4.1 Taking down the sunshade.....	10
5. OPERATION	11
5.1 Opening the sunshade.....	11
5.2 Closing the sunshade	11
5.3 Notes on the wind	12
6. MAINTENANCE AND CARE	14
6.1 Cleaning.....	14
6.2 Frame	14
6.3 Shade tensioning	14
6.4 Hibernation	15
6.5 Prior to start-up.....	15

1. SAFETY REGULATIONS

The safety instructions, together with the technical information for the fitting and operation, form the basis for using the shades without danger. They are to be read through before installing an using the shades, to be obeyed and to kept in a save place for later need.



Any disregard of safety regulations and the instructions for erection and operation can result in serious damage to people and material for which the manufacturer expressly refuses to accept any liability or obligation under warranty!



- If the wind freshens up or gales gusts are approaching, the sunshade must be shut.
- Unsupervised sunshades must not be left open.
A unexpected stormy wind could cause heavy damages!

1.1 Use of the shades

The Glatz large shades are intended exclusively as weather resistant sun protection. The wind resistance of the extended shade is limited and the details on this presuppose an anchorage in accordance with the instructions. Movable bases are less stable than bases which are fixed to the ground.

1.2 Anchorage

The ground anchorage is to be fitted in accordance with the technical information in “Fitting Instructions Ground Socket” and “Fitting Instructions Mounting Plate” respectively. Please take note of the dimensions for the shade type concerned and its sizes. Fitting has to be carried out by a person with the necessary specialist construction knowledge. The version is to be in concrete or in a material of like strength. Local regulations are to be observed.

1.3 Electrical installation

Shades with electric equipment must be connected by a recognised specialist fitter in accordance with the fitting instructions and connected to the mains power supply in accordance with local regulations.

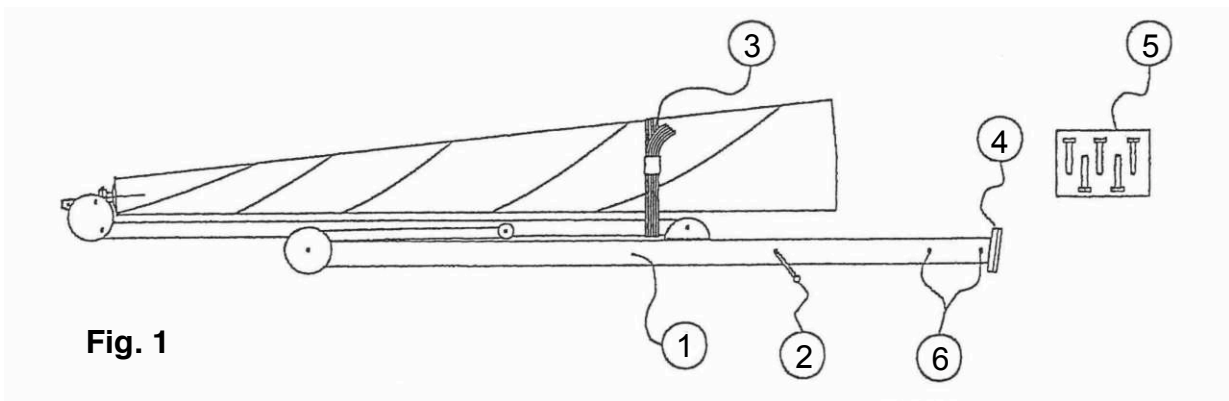
1.4 Kindly note the following

- Be sure to comply with the operating instructions.
- Never place the large shade unsecured against a wall, it could slip away and tip over.
- Before opening or closing the shade, check that there are no obstacles in the operating area.

- The shade must not be altered or draped with a different material. The stability in wind and closing function may deteriorate.
- Use the shade only in a undamaged state and take notice of any faults.
- Use only original Glatz accessories and spares in order to have the guarantee for full safety, unspoilt convenience and perfect functioning.
- When fitting or removing a protective sleeve, if necessary use a free-standing, stable climbing aid. Make sure that this can neither tip over or slip away.

2. SCOPE OF SUPPLY

- Sunshade (1) ready assembled with crank (2) and fastening belt (3)
- Upright tube (4) with cover plate fitted in the mast
(in the case of sunshades with removable stand or turnable ground sockets, the support tube is fitted to the stand or ground socket at production location)
- 5 anchorage screws M10 (5)
- Attachment bolt for speedy operation with rechargeable battery drill
(drill not included in scope of supply, torque limitation obligatory)



2.1 Client's work

- Fitting the ground socket
- Electricity supply
- Set up the sunshade
- Rechargeable battery drill with torque limitation

2.2 Options

- Motorised type with control unit GSS-99
- Remote control for GSS-99
- Incorporated lightening for Glatz large shades
- Protective cover with/without zip and rod

2.3 Possibilities of anchorage

- Ground socket M4 with cover
- Mounting plate M4
- Mounting plate special M4 for isolated grounds
- Ground socket Ambiente turnable
- Movable base



In order to ensure that the static conditions for the fixing are fulfilled, it is essential to consult the user manual for the relevant ground fixing.

3. FITTING

3.1 Fitting the support tube into the ground socket / movable base

(Fitting the support tube into the movable base works analogously to the instructions for the ground socket stated below.)

- Remove cover (2) from ground socket (1).
- Unscrew support tube (3) from the sunshade mast by unscrewing the bolts (4)
- (if necessary pull the electric cables out of the ground socket through the support tube and fit the plugs).
- Place the support tube (3) on the ground socket and align the notch (5) to the seating area.
- Insert the 5 anchoring screws (6).
- Lower the cover plate (7) onto the support tube ring.

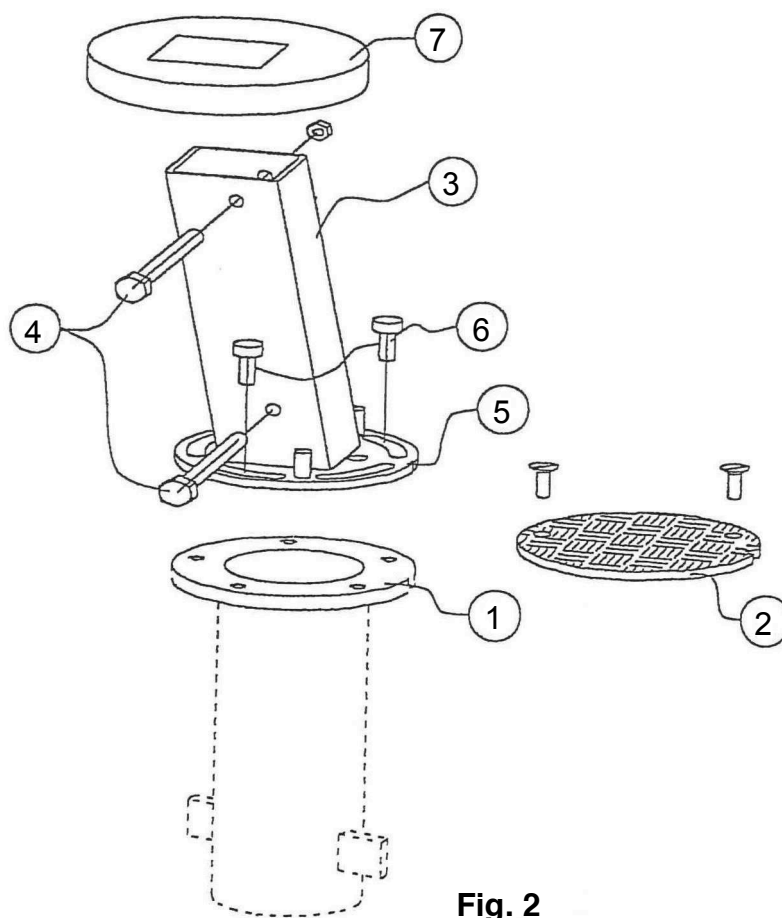


Fig. 2

3.2 Setting the sunshade

(2 persons are necessary for this)

- If necessary, plug together the electrical connections, screw them together and stow the cable away in the support tube and mast.
- Lift the sunshade (A) to an angle of approx. 30° and place the lower end of the mast on the support tube (3).
- Raise the sunshade carefully further until the mast slips down over the support tube
- Insert the connecting bolts (4).
- Undo the fastening belt (2) from the sunshade and pull outwards cloth and roofstruts for pre-spreading the shade.
- Insert crank handle (C) into the opening of the mast, turn the crank handle in a clockwise direction and open the sunshade completely up to the stop.
- Check the correct position of the sunshade.

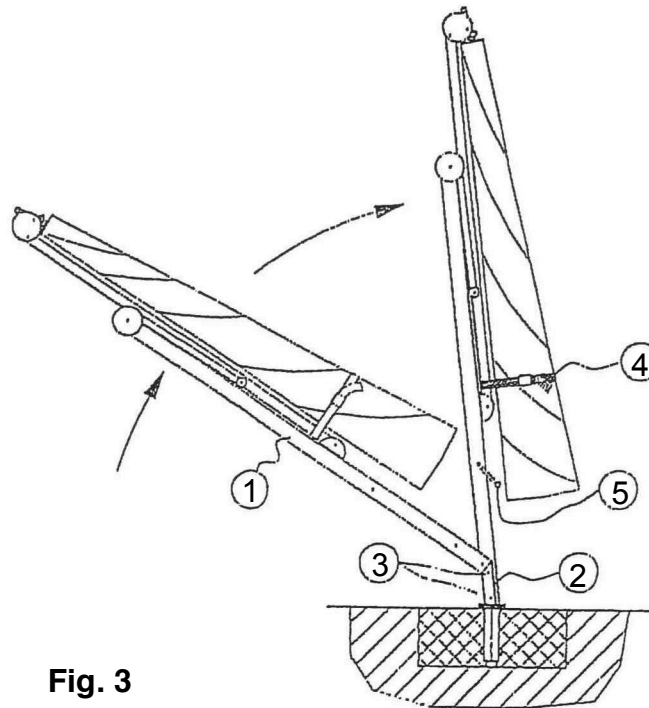


Fig. 3

3.3 Adjusting the position

3.3.1 Basic alignment

(a) Swivelling the carrier arm (figures 6 and 7)

- Remove the lower connection bolt (6) from the mast.
- Push up the cover plate (7).
- Loosen all anchoring screws (8) by a ½ turn.
- Swivel the opened sunshade to the required position (4).
- If necessary, carry out the correction (5) before tighten the loosened screws.

(b) Rotating the sunshade in its suspension (figures 6 and 8)

Only necessary in the case of rectangular and square sunshades.

- With the sunshade still closed, loosen the setting screw (10) by a ¼ turn.
- Open the sunshade and move to the required position.
- Tighten all the loosened screws again.

3.3.2 Adjusting the levelling

(c) Forward and backward angle of shade roof (figures 4 and 8)

- With the sunshade open determine the difference in height between inside and outside edges (2).
- Close the sunshade and adjust by means of the levelling screw (11). One complete of the screw in a clockwise direction causes the outside edge to sink by approx. 4 cm and the inner edge to rise by the same amount.
- Secure the levelling screw (11) with the counternut.

(d) Side angle of shade roof (figures 5 and 7)

- Determine the difference in high between the side edges of the sunshade.
- Uncover the anchoring screws (8) by removing the lower connecting bolt (6) and lifting off the screw cover (7).
- Leave the anchoring screw located behind the mast (8a) screwed tight and loosen the other four anchoring screws (8) by ½ turn.
- Screw in the levelling screw (9) on the side of the lower lying edge in a clockwise direction. One complete turn of the screw causes this edge to rise approx. 4 cm.
- After levelling out, screw all anchoring screws (8) tight.

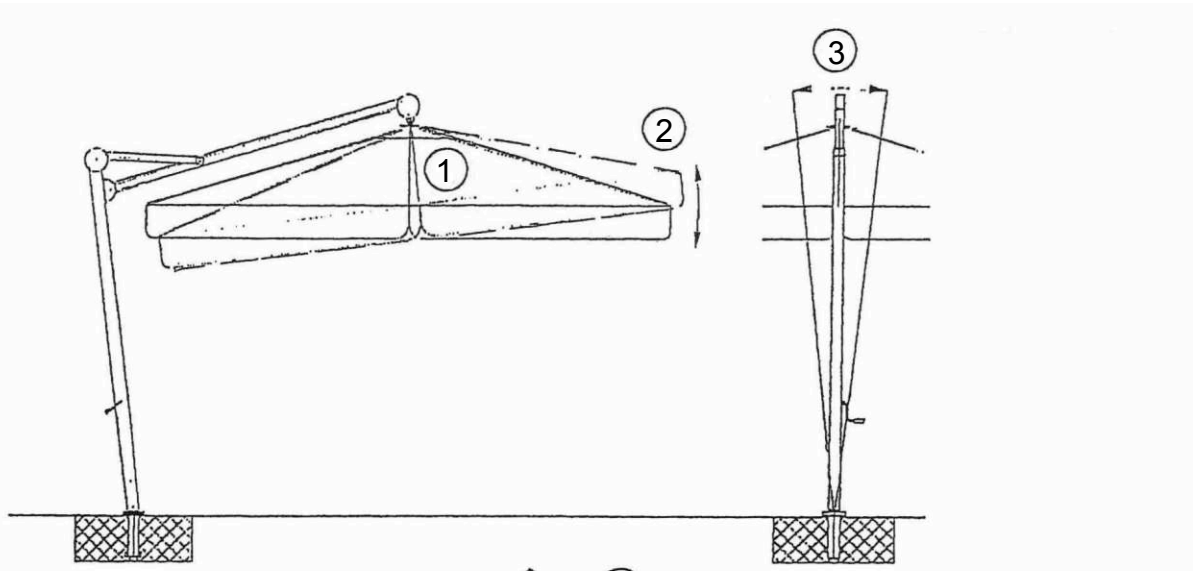


Fig. 4

Fig. 5

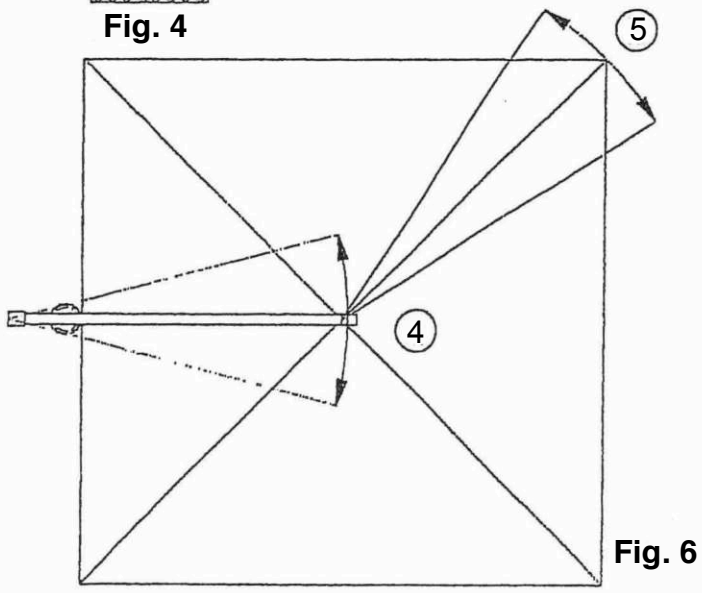


Fig. 6

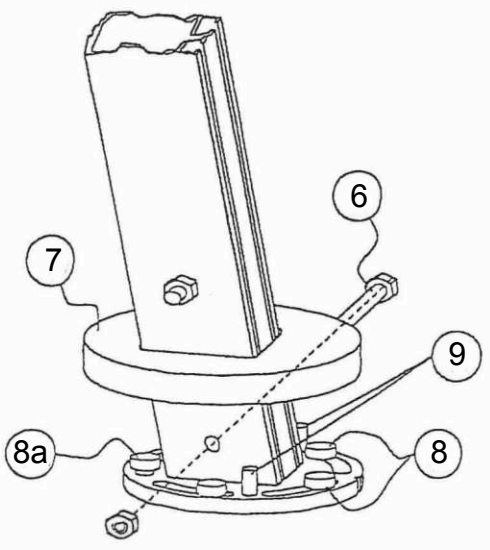


Fig. 7

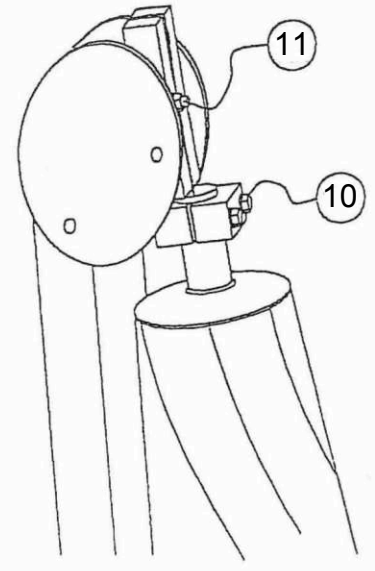


Fig. 8

4. DISASSEMBLING

4.1 Taking down the sunshade

(2 persons are necessary for this)

- Remove any obstacles in the area for laying the sunshade down.
- Remove connection bolts (1).
- Lift the sunshade until it is possible to lay it over to the rear. Lay down carefully.
- If necessary, disconnect any electric cables.
- Unscrew support tube (2) and insert into the mast again.
- Close off the ground socket (3) with cover (4).

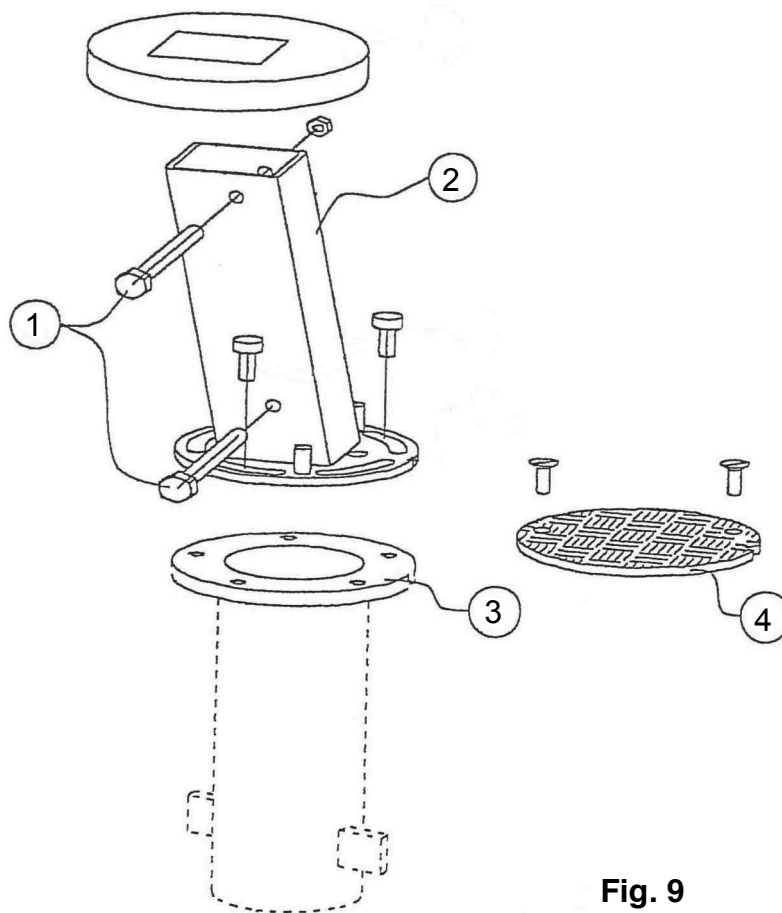


Fig. 9

5. OPERATION

5.1 Opening the sunshade

- Remove the fastening belt (1) and pre-spread the shade by loosening cloth and roof struts outwards.
- Insert the crank handle (2) and turn in a clockwise direction. The sunshade carries out the extending and opening movements simultaneously.
- Open completely up to the stop and check whether the sliding catch (3) has engaged completely in the inner ferrule. If the crank handle is released or removed, the sunshade automatically remains open.
- If opening or closing are done by an accu-drill, a torque limitation is obligatory.

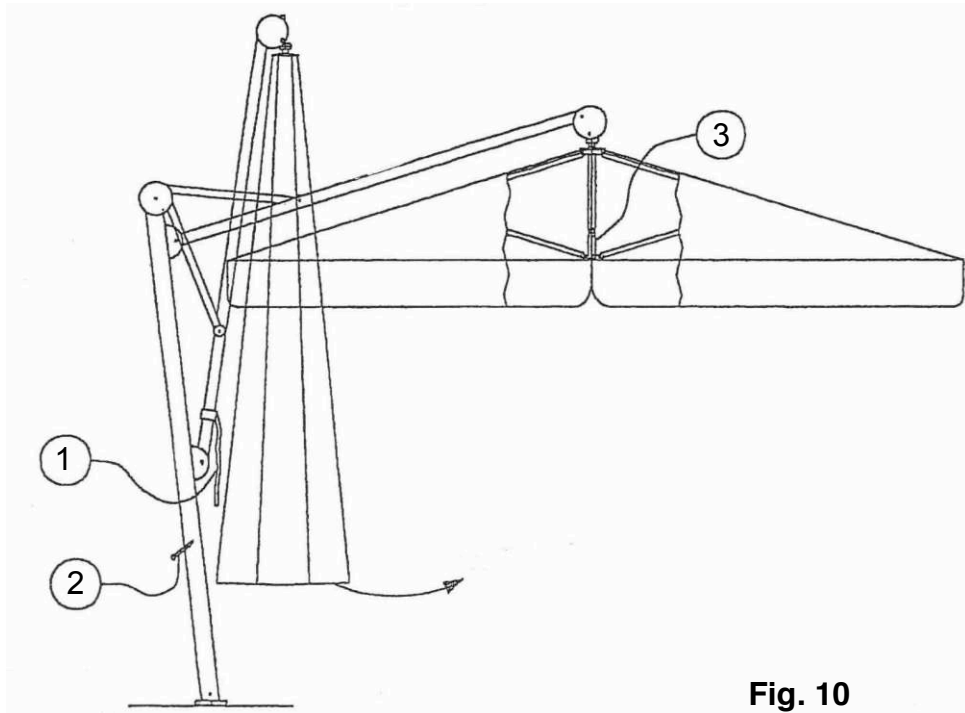


Fig. 10



- If the wind freshens up, close the sunshade.
- Unsupervised sunshades must not be left open.

5.2 Closing the sunshade

- Insert the crank handle (2) and turn in a anticlockwise direction.
- The closing and retracting movements take place simultaneously.
- Wrap the fabric round the sunshade (see also 5.3.2) and secure with the fastening belt (1).
- If wanted, fit the protective cover.

5.3 Notes on the wind

5.3.1 Parasol membrane on acrylic fibre

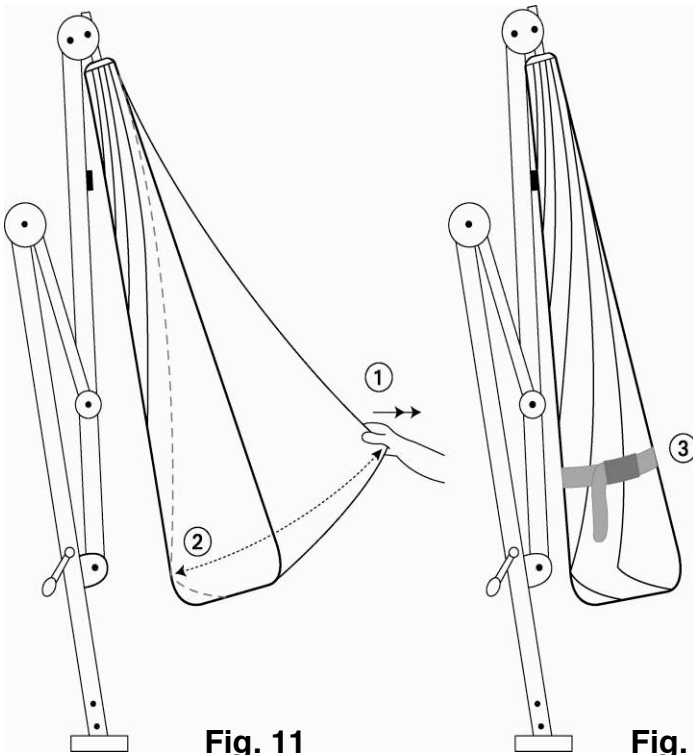
The membrane, which is made from high-quality, solution-dyed **acrylic fibre**, is exceptional due to its outstanding properties such as:

- Ultimate outdoor durability
→ doesn't rot due to dampness or fungal attacks
- Ultimate colour fastness
→ won't be bleached by UV rays
- Ultimate UV protection for those under the umbrella
→ Reduction of UV rays

The "only" disadvantage of relevance is the acrylic fibre, which is sensitive to abrasions. Both Glatz and our fabric supplier have been unable to eliminate this weakness¹.

If you handle the umbrella properly in day-to-day use, abrasion damage can be avoided. The following advice helps.

5.3.2 Correct winding-up of umbrella



Avoid clamping, abrasions and premature wear and tear caused by strong flapping of the material in the case of wind.

- (1) After closing the umbrella, pull out all the lengths of material individually and completely between the struts.
- (2) Wind up the lengths of material in tight layers on the umbrella pole.
- (3) With the provided belt, secure the wound-up lengths of fabric well. (The material should not flap in the wind)

¹ As Glatz cannot monitor the proper treatment of the umbrella coating, any damage caused by abrasion (rubbing) lies outside the regular warranty!

5.3.3 Regions affected by frequent wind or strong winds

In autumn, after the end of the season, dismantle the umbrella and store in a dry place.

5.3.4 Erecting of new umbrellas

Do not erect new umbrellas in autumn. Only set up new umbrellas in spring before the start of the season.

5.3.5 Using the protective cover (option)

The protective cover should be completely closed and tied with rope. You should avoid letting the protective cover flap about.

6. MAINTENANCE AND CARE

6.1 Cleaning

The cloth can be cleaned with lukewarm water with fine detergent. Use a sponge or soft brush. Rinse down with ample clear water. If necessary re-impregnate with a proprietary spray.

In the event of heavy rain, new shades may let a little spray through. This phenomenon will disappear again after a few days.

6.2 Frame

The frame can be rubbed down with water. The coating colours can be freshened up with car polish. Paint damage can be made good using the paint repair kit available from Glatz.

6.3 Shade tensioning

A well tensioned shade is more stable in the wind and remains lovely longer. If necessary, the roof strut extensions (1) can be pulled out further. This is best done when the shade is half closed. Insert the stop screws (2) accordingly and screw it.

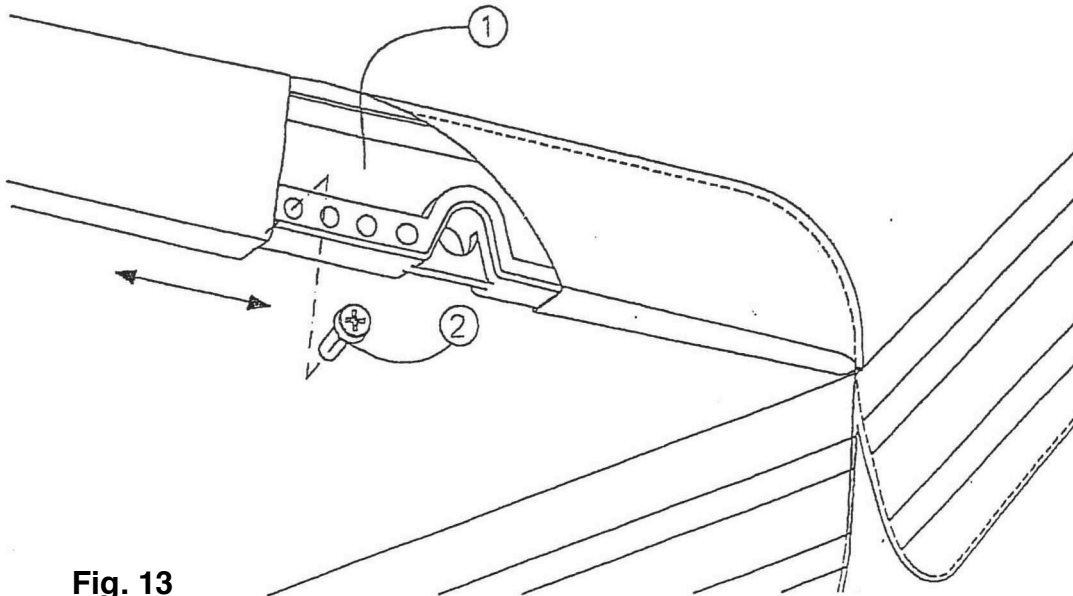


Fig. 13

6.4 Hibernation

Store the sunshade on a dry place.

Check the product visually and the proper functions before re-fitting.



If any deformations, tears or wobbly connecting points should appear as a result of exposure to extreme strains, the sunshade should undergo an overhaul by a specialist before being put into use.

6.5 Prior to start-up

Ensure that the pivot and slide bearings are running smoothly:

- Use a non-staining glide spray.
- Guide grooves on the pole (1).
- Corners of the pole inside (2). To this end, unscrew and then remount the covering plate (3).

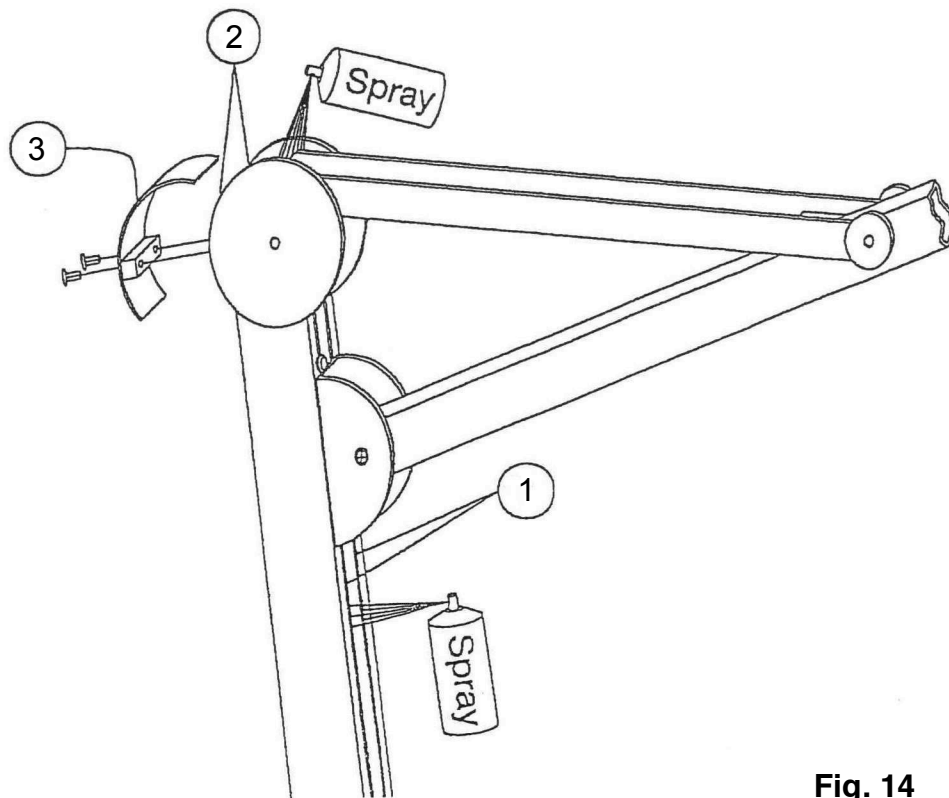


Fig. 14